

Safety in system
Protection for man and machine

STAINLESS STEEL ASSEMBLY HOUSING WITH IP69K FOR HYGIENIC APPLICATIONS

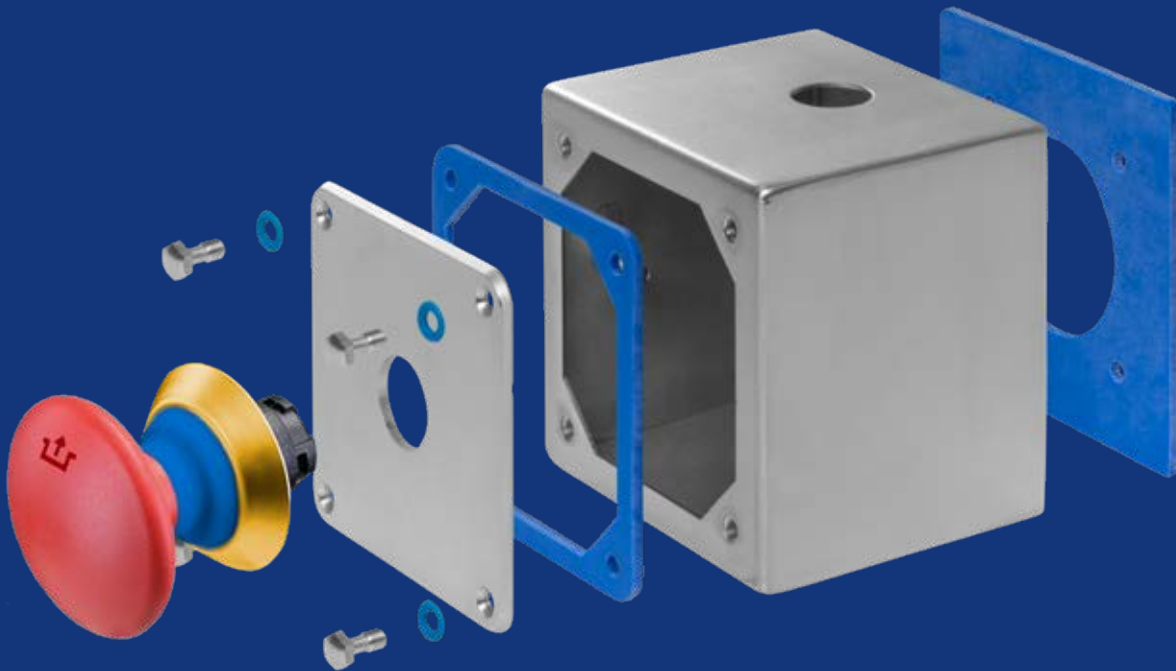
NEW



SCHMERSAL
THE DNA OF SAFETY

THE NEW STAINLESS STEEL ASSEMBLY HOUSING CLEAN AND TIDY

- For applications in food processing machinery in accordance with DIN EN 1672-2Lokal
- No additional mounting accessories such as spacers required thanks to flange seal under the enclosure
- Cable entry in the enclosure floor or side
- Variable sizes with up to five holes for command devices
- Special version for NSK protective collar in all enclosure sizes



THE NEW STAINLESS STEEL ASSEMBLY HOUSING

CLEAN AND TIDY

ORDERING CODE

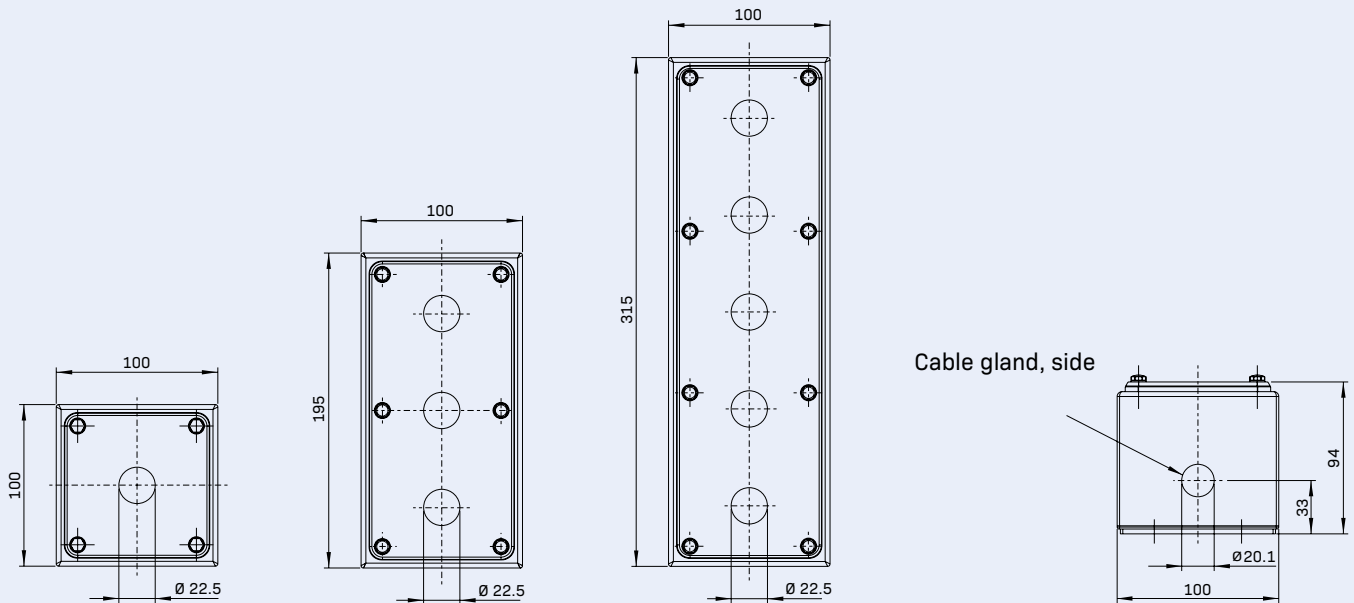
This operating instructions manual applies to the following types:

NBGLC^{①②,③④}

No.	Option	Description
①		Enclosure size
②		Number of drilled holes for command devices
③		Position of the cable gland
	1	Side, bottom
	2	Side, top
	3	In the floor
④	/NSK	With protective collar

DIMENSIONS

All measurements in mm.



Detailed information on assembly housings can be found here:



Detailed information on suitable command and signalling devices in the N product portfolio can be found here:



THE SCHMERSAL GROUP

PROTECTION FOR MAN AND MACHINE

In the demanding field of machine safety, the owner-managed Schmersal Group is one of the international market leaders. The company, which was founded in 1945, has a workforce of about 2000 people and seven manufacturing sites on three continents along with its own companies and sales partners in more than 60 countries.

Customers of the Schmersal Group include global players from the area of mechanical engineering and plant manufacturing as well as operators of machinery. They profit from the company's extensive expertise as a provider of systems and solutions for machine safety. Furthermore, Schmersal specialises in various areas including food & beverage, packaging, machine tools, lift switchgear, heavy industry and automotive.

A major contribution to the systems and solutions offered by the Schmersal Group is made by tec.nicum with its comprehensive range of services: certified Functional Safety Engineers advise machinery manufacturers and machinery operators in all aspects relating to machinery and occupational safety – and do so with product and manufacturer neutrality. Furthermore, they design and realise complex solutions for safety around the world in close collaboration with the clients.



SAFETY PRODUCTS

- Safety switches and sensors, solenoid interlocks
- Safety controllers and safety relay modules, safety bus systems
- Optoelectronic and tactile safety devices
- Automation technology: position switches, proximity switches

SAFETY SYSTEMS

- Complete solutions for safeguarding hazard areas
- Individual parametrisation and programming of safety controllers
- Tailor-made safety technology – be it for individual machines or a complex production line
- Industry-specific safety solutions

SAFETY SERVICES

- tec.nicum academy – Seminars and training
- tec.nicum consulting – Consultancy services
- tec.nicum engineering – Design and technical planning
- tec.nicum integration – Execution and installation



2.000 / L+W / 02.2021 / Teile-Nr. 103040191 / EN / Ausgabe 01



SCHMERSAL
THE DNA OF SAFETY

The details and data referred to have been carefully checked.
Subject to technical amendments and errors.

www.schmersal.com