



AM-T100

- Time-of-Flight Technologie (ToF)
- Millimetre-accurate 3D depth images through Sony DepthSense™ technology
- High frame rate up to 60 fps
- Viewing area of 67° x 51
- Range up to 6 m
- Software for easy configuration of 3D monitoring areas
- Use in manufacturing processes, logistics and robotics
- Standardised GenICam data interface
- Optimally adaptable to different ambient and mounting conditions

Data

Ordering data

Product type description	AM-T100
Article number (order number)	103048766
EAN (European Article Number)	4030661621302
eCl@ss number, version 12.0	27-39-03-04
eCl@ss number, version 11.0	27-39-03-04
eCl@ss number, version 9.0	27-39-03-04
ETIM number, version 7.0	EC001511
ETIM number, version 6.0	EC001511

General data

Standards	EN 61326-1 EN IEC 60825-1
Sensor topology	iTOF
CPU	Dual Cortex-A53 1.2 GHz
Resolution	640 x 480 Pixel

Gross weight	565 g
--------------	-------

Mechanical data

Range, protection field, maximum	6 m
Note	Depending on the remission properties of the target objects, a range of up to 30 m can be achieved
Wave length of the laserdiode	850 nm
Distance resolution	1 mm
Field of view	67° x 51°
Accuracy, maximum	1 %

Mechanical data - Connection technique

Termination	Connector, M12, 8-pole, A-coded X-coded M12 Ethernet connector
-------------	---

Ambient conditions

Degree of protection	IP67
Note	when both plug connections are closed
Ambient temperature	+0 ... +45 °C
Note	The camera can be operated from a temperature of -20° C after a warm-up period of 30 minutes.
Storage and transport temperature	-20 ... +85 °C
Laser class	1

Electrical data

Operating voltage	24 VDC -10 % / +10 % (PoE: IEEE802.3bt)
Rated operating voltage	24 VDC
Electrical power consumption	15 W
Electrical power consumption, maximum	40 W

Frame rate	60 Hz
Exposure time	1 μ s - 1 ms

Electrical data - Communication protocols

Transfer rate	10/100/1000 Mbps Ethernet GigE Vision 2.0 Compliant
---------------	--

Documents

Operating instructions and Declaration of conformity

AM-T100 (515.1 kB, 23.10.2023)

System Manual

AM-T100 (5.3 MB, 13.02.2024)

UL Certificate

(230.2 kB, 16.06.2023)

Brochure

3D-camera AM-T100 (856.5 kB, 11.04.2023)

Pictures

Product picture (catalogue individual photo)



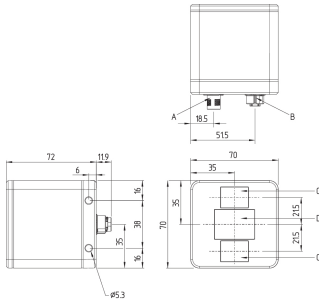
ID: kamt1f05

| 425.5 kB | .jpg | 352.778 x 352.778 mm - 1000 x 1000 px - 72 dpi

| 44.5 kB | .png | 74.083 x 74.083 mm - 210 x 210 px - 72 dpi

| 63.5 kB | .jpg | 123.472 x 123.472 mm - 350 x 350 px - 72 dpi

Dimensional drawing basic component



ID: kamt1g01

| 101.1 kB | .jpg | 352.778 x 325.261 mm - 1000 x 922 px - 72 dpi

System components

Connector



ACC-AM-CON-A-K8P-M12-G-5M-S

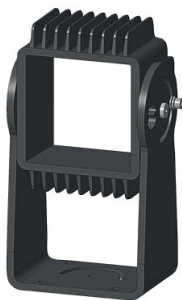
- M12 Connector, 8-pin, A-coded
- Cable length 5



ACC-AM-CON-VIE-SS8P-M12-RJ45-G-5M-S

- Connector M12, X-coded
- Cable length 5

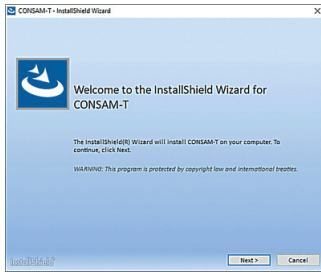
Mouting accessories



ACC-AM-MS-F

- Can be aligned in 2 axes
- Optimum heat dissipation
- Precise alignment possible

Configuration Software



Configuration-Software CONSAM-T



Software Development Kit - SDK

K.A. Schmersal GmbH & Co. KG, Möddinghofe 30, 42279 Wuppertal

The details and data referred to have been carefully checked. Images may diverge from original. Further technical data can be found in the manual. Technical amendments and errors possible.

Generated on: 19/04/2024, 09:52